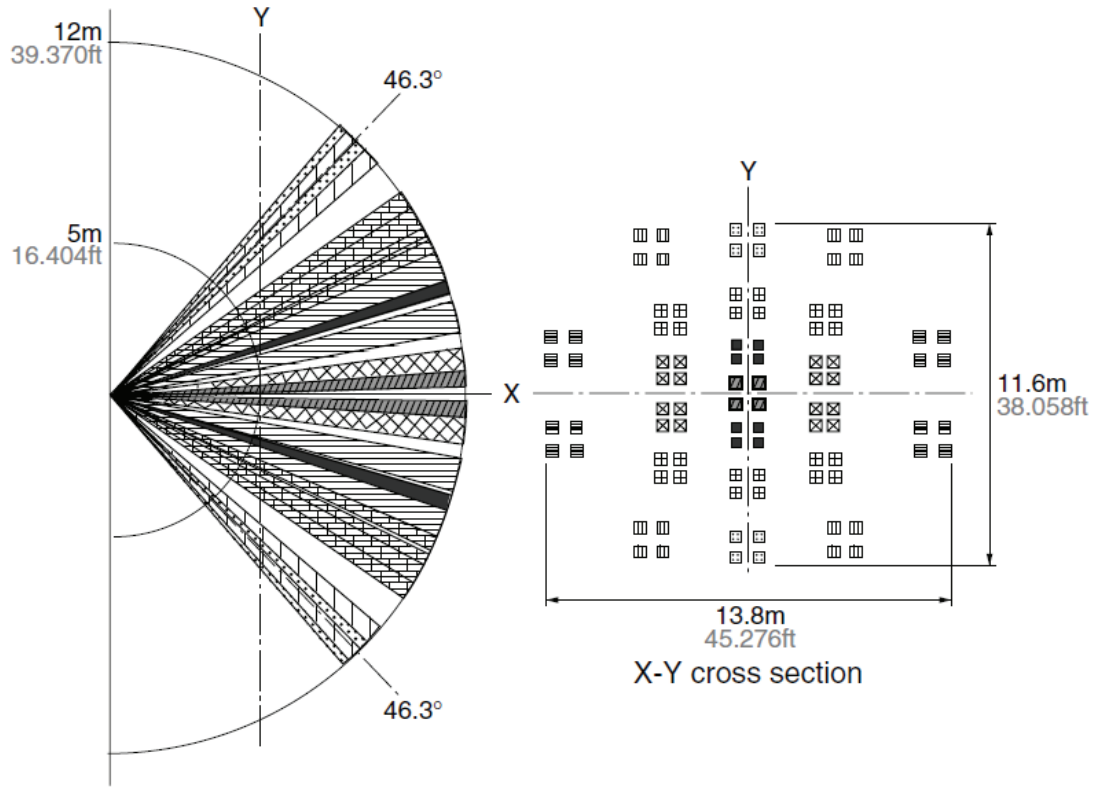
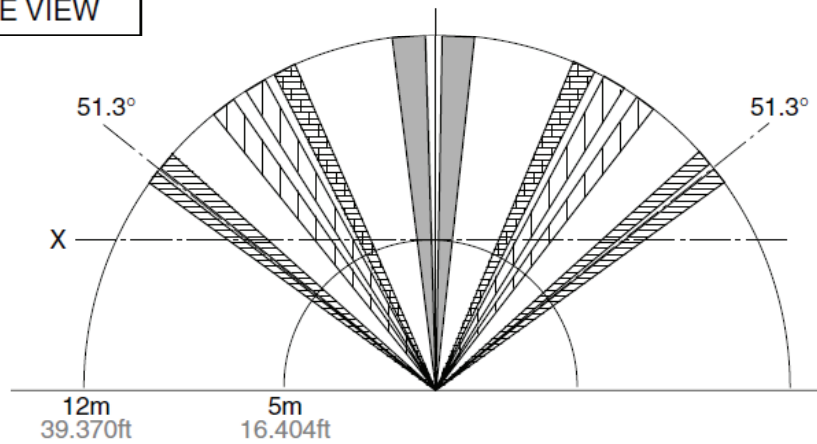


Passive Infra-Red (PIR) KumoSensor Detection Range and Performance



SIDE VIEW



TOP VIEW